



gaffey

GoGaffey.comSM

800.821.5368 • 517.694.4115

**A Guide
to your
Financial Printing
and Packaging
needs**

PRINTING • PROMOTIONS • GRAPHICS

gaffey
GoGaffey.comSM

800.821.5368 • 517.694.4115 • Fax 517.694.5330
2385 Delhi Commerce Dr. • Holt, MI 48842

We manufacture all types of Check Covers, both personal and business, Savings Receipt Wallets, Jackets, Certificates of Deposit Folders and other items for Financial Institutions. All are made of top quality vinyls.

We also manufacture all types of books for Financial Institutions. The standard hand entry and machine posting books are available for Checking and Savings Accounts, along with all special Certificate, Christmas, Chanukah and Vacation Clubs, IRA and Loan Accounts.

We also manufacture Ring Binders, Catalog Binders, Presentation Portfolios and specialty items for Commercial Accounts and will appreciate your interest and requests for prices and information on any special item.

General Information

The standard products included in the list are used by many of our customers. We produce many items that are not shown in our list. For special products, please contact our Customer Service Department.

For items of vinyl manufacture, we carry a considerable amount of stock vinyls, and have others readily available.

We maintain a large inventory of Pajco cover materials for books, other materials are also available. We use a high quality paper, available in white, buff and 4 colors of safety. Our graphics department has a wide variety of fonts available to compose your copy for you if requested.

Special decorations are available. Four color process litho, embossing-debossing blind or with foil are among our specialties. Contact us for special pricing and send any copy available for evaluation and quotation. Flat stamping is done with stamping dies priced according to area coverage, at a nominal fee, if black and white copy is furnished. (Special debossing or combination stamping/embossing require more expensive dies.)

Fax, E-mail and Blueline proofs for pass-books are shown upon request for approval of type selection and copy. Press proofs can be provided, quotation is furnished prior to production cost depending upon number of colors and whether or not a fully completed sample is wanted.

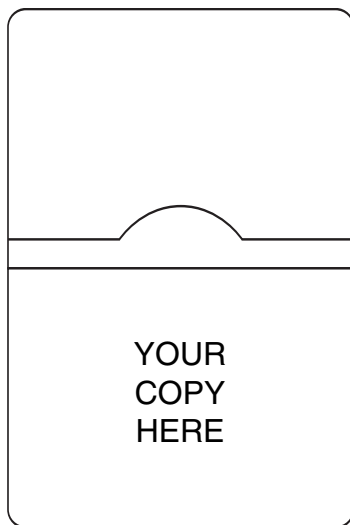
ATM STATEMENT ACCOUNT REGISTER AND CARD HOLDER

2 1/2 X 3 7/8" closed size, Kayhide cover material with clear vinyl card pocket sealed to the outside front or back cover to accommodate the ATM card, thumb cut for easy insertion and removal. Personal Record Keeping Register has 8 pages, 7 of which are full entry pages, white paper printed in black ink. Black, White or Gray cover material only. Colored papers and ink for the register are available.

VINYL ATM CARD WALLET AND REGISTERS

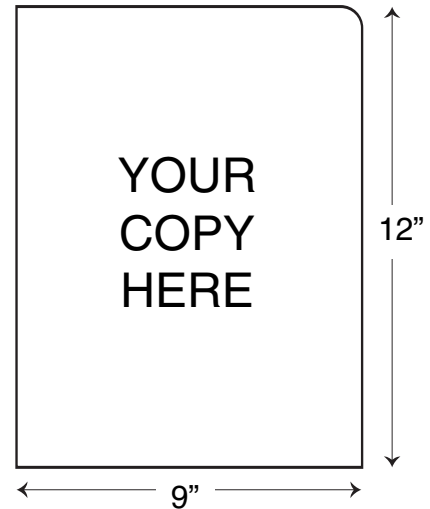
Vinyl ATM Card Wallets, open size 4 3/16 x 5 7/16", available in .012 ga. French Calf or Suedene finish vinyl, with two .008 ga. frosty pockets on the interior, and a thumb cut .008 ga. frosty pocket sealed to the outside back cover.

Stock ATM Registers, closed size 2 1/2 x 3 7/8", 16 pages. 60# white offset lithographed in black ink, white index cover (no printing on either the interior or exterior of cover), thread sewn with exposed stitching and round corners. These registers are in stock and available for immediate delivery.

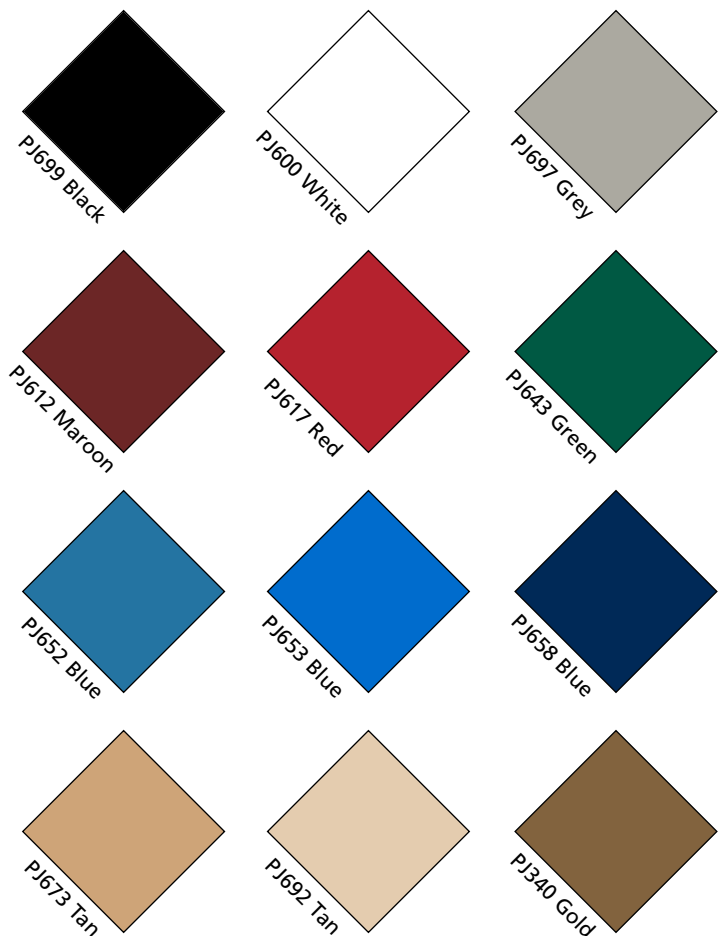


PRESENTATION FOLDER

Standard size is 9 x 12" (closed size), with two V split pockets inside. Business card slots are available. Pockets are glued at outside edges. 4 color process, multi-color printed or foil stamped on the cover.



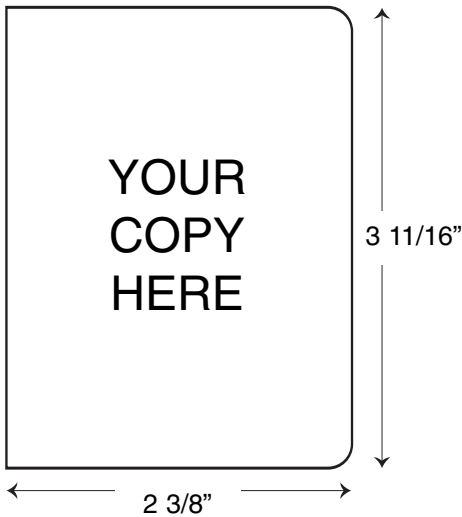
Popular Pajco Colors



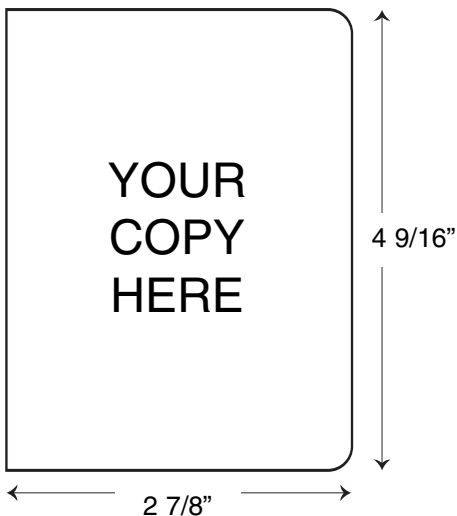
COMMERCIAL PASSBOOKS

All commercial books are designed for Pajco cover material with black copy on front cover. ABA notice in our standard format, with Institution name and address on the first posting page. Red and blue ruling on posting pages. Other notices or printing at special cost.

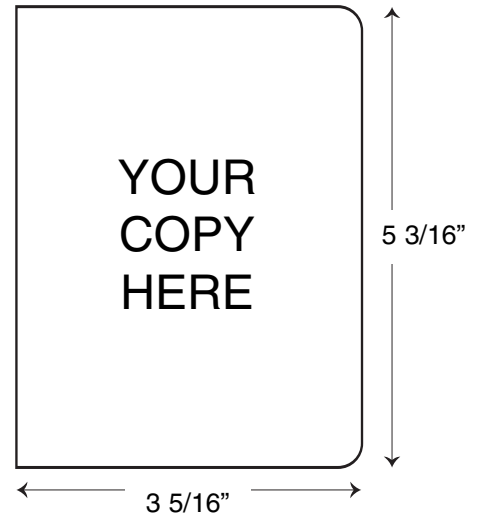
NO. 2 CHECKING ACCOUNT BOOKS
2 3/8 x 3 11/16" with 24 pages.



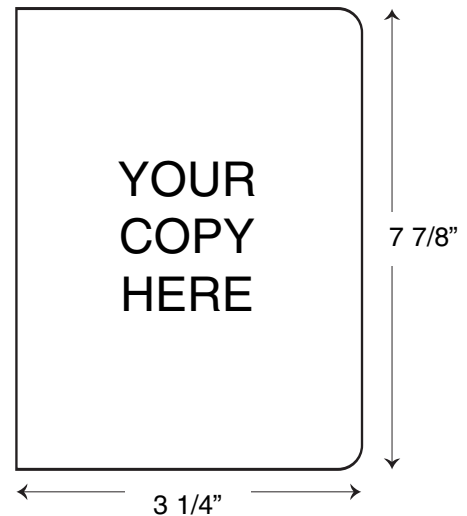
NO. 77 CHECKING ACCOUNT BOOKS
2 7/8 x 4 9/16" with 24 pages.



NO. 4 CHECKING ACCOUNT BOOKS
3 5/16 x 5 3/16" with 24 pages.



NO. 8 CHECKING ACCOUNT BOOKS
3 1/4 x 7 7/8" with 24 pages.



VINYL CHECKING ACCOUNT BOOKS WITH REMOVABLE FILLERS

Available in 4 sizes with 24 page fillers. Foil stamped cover.

No. 2	2 3/8 x 3 7/8"
No. 77	3 x 4 3/4"
No. 4	3 3/8 x 5 1/2"
No. 8	3 3/4 x 8 1/8"

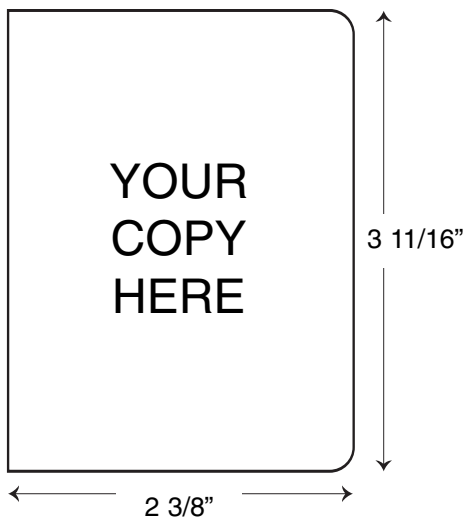
STOCK BOOKS

CHECKING ACCOUNT BOOKS

Available in NO.2 and NO. 8 Sizes

Tan color only, 24 pages, Standard ABA Notice on page 1, Institution Name and Location can be imprinted on front cover in Black for an additional charge. **These are available for RUSH delivery.**

AVAILABLE IN LOTS OF 100 ONLY

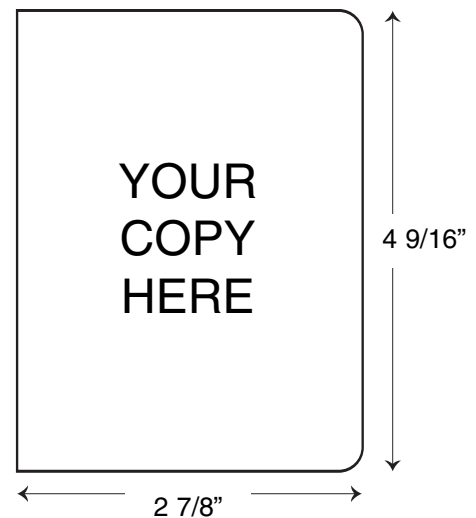


SAVINGS ACCOUNT BOOKS

#200 Size - 2 7/8 x 4 9/16"

Tan color only, 14 entry pages with stock notice on page 1. Standard title on first entry page. Institution Name and Location can be printed on front cover in Black for an additional charge. **These are available for RUSH delivery.**

AVAILABLE IN LOTS OF 100 ONLY



Standard ABA Notice Format

ACCOUNT NUMBER

IN ACCOUNT WITH

Notice

Always bring this book with your deposits.
See that entries agree with your tickets.

Items received for deposit or collection are accepted on the following terms and conditions. This Bank acts only as depositor's collecting agent and assumes no responsibility beyond its exercise of due care. All items are credited subject to final payment and to receipt of proceeds of final payment in cash or solvent credits by this Bank at its own office. This Bank may forward items to correspondents and shall not be liable for default or negligence of correspondents selected with due care nor for losses in transit, and each correspondent shall not be liable except for its own negligence. Items and their proceeds may be handled by any Federal Reserve Bank in accordance with applicable Federal Reserve rules, and by this Bank or any correspondent, in accordance with any common bank usage, with any practice or procedure that a Federal Reserve Bank may use or permit another bank to use, or with any other lawful means. This Bank may charge back, at any time prior to close of its next business day following the day of receipt, any item drawn on this Bank which is ascertained to be drawn against insufficient funds or otherwise not good or payable. An item received after this Bank's regular afternoon closing hour shall be deemed received the next business day.

Stock Notice on Page 1

SAVINGS DEPARTMENT

The depositor(s) by opening or continuing an account in the Savings Department agree(s) to be governed by the Rules and Regulations of the bank applicable to savings accounts as such Rules and Regulations now exist or may be hereafter amended by the bank from time to time, and assents that his savings account shall be at all times subject thereto.

A copy of the Rules and Regulations as amended from time to time is posted at all times in the Savings Department of the bank, and is also available at all times to the depositor on request.

Interest Dates _____

Interest Rate _____

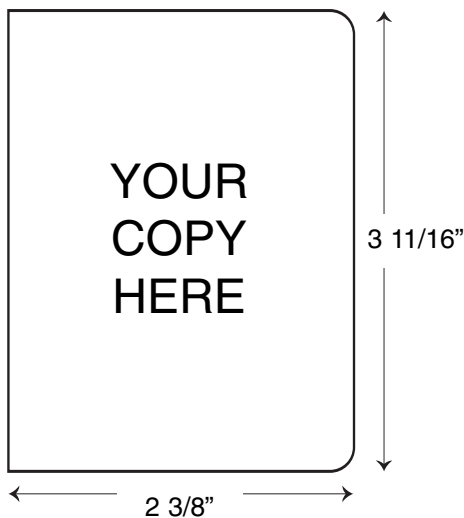
Transferable

Nontransferable

SAVINGS BOOKS

NO. 400 SAVINGS BOOKS

Prices are for books with 1-14 entry pages without rules and regulations or other advertising copy but do include printing Institution name and address on the first posting page. Additional copy printed at special cost. Pages have the entry or posting forms lithographed in black ink on yellow safety paper, perforated heads on entry pages 2 thru 13. Cut heads available for an additional cost. Covers can be offset printed or foil stamped.

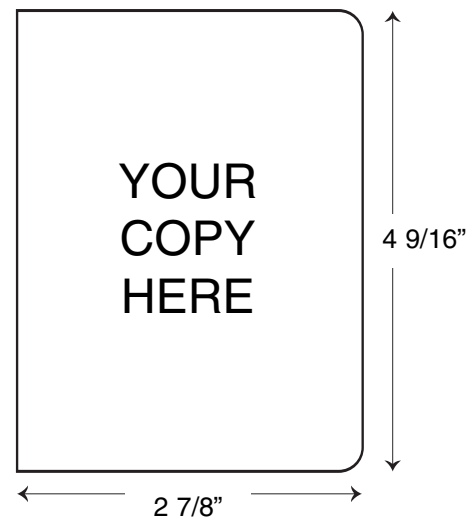


NO. 400 VINYL SAVINGS ACCOUNT BOOK Size $2 \frac{3}{8} \times 3 \frac{7}{8}$ "

Book with removable fillers. Bank name on the first entry page and foil stamped on the vinyl cover. Fillers can be printed with any rules and regulations or advertising copy for an additional cost.

NO. 200 SAVINGS BOOKS

Prices are for books with 1-14 entry pages without rules and regulations or other advertising copy but do include printing Institution name and address on the first posting page. Additional copy printed at special cost. Pages have the entry or posting forms lithographed in black ink on yellow safety paper, perforated heads on entry pages 2 thru 13. Cut heads available for an additional cost. Covers can be offset printed or foil stamped.



NO. 200 VINYL SAVINGS ACCOUNT BOOK Size $3 \times 4 \frac{3}{4}$ "

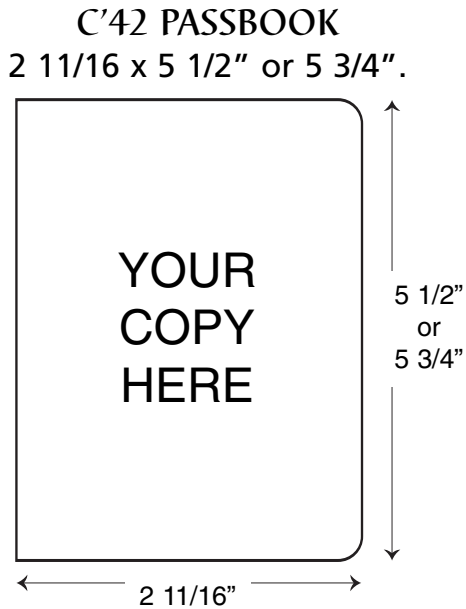
Book with removable fillers. Bank name on the first entry page and foil stamped on the vinyl cover. Fillers can be printed with any rules and regulations or advertising copy for an additional cost.

VINYL JACKETS FOR NO. 400 & NO. 200 SAVINGS ACCOUNT BOOKS

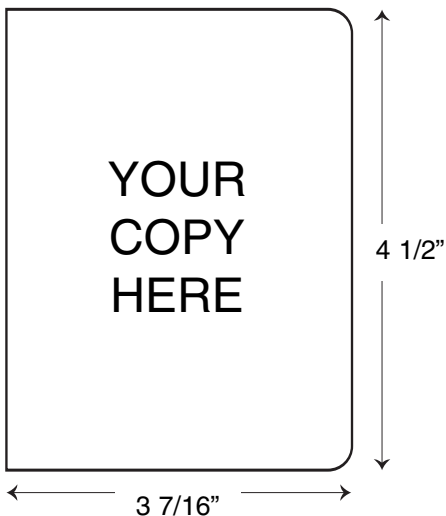
Jackets are made from .008 Ga. (frosty) vinyl, with offset thumb notch.

MACHINE POSTING BOOKS

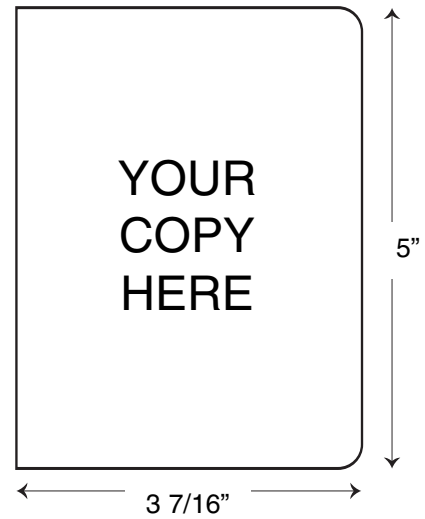
Prices are based on Pajco covers, others are available. White paper, 12 pages, printed in black ink. Up to four printed pages of rules and regulations or other copy allowed. (Two pages would be printed on inside covers).



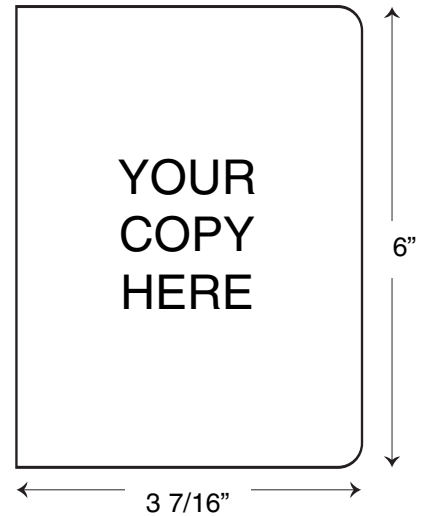
MACHINE POSTING PASSBOOK
3 7/16 x 4 1/2"



MACHINE POSTING PASSBOOK
3 7/16 x 5"



MACHINE POSTING PASSBOOK
3 7/16 x 6"

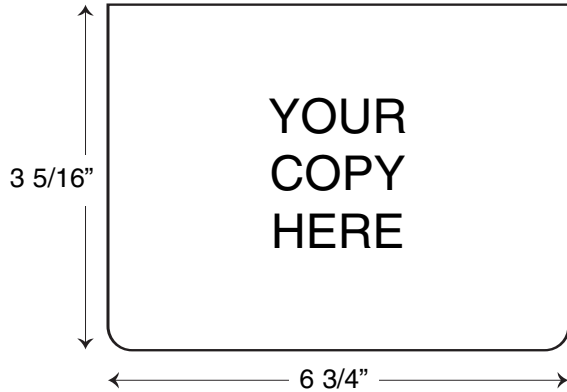


VINYL JACKETS FOR STANDARD MACHINE POSTING BOOKS

Jackets are available for any Machine Posting book and are made from .008 ga. frosty vinyl, with offset thumb notch.

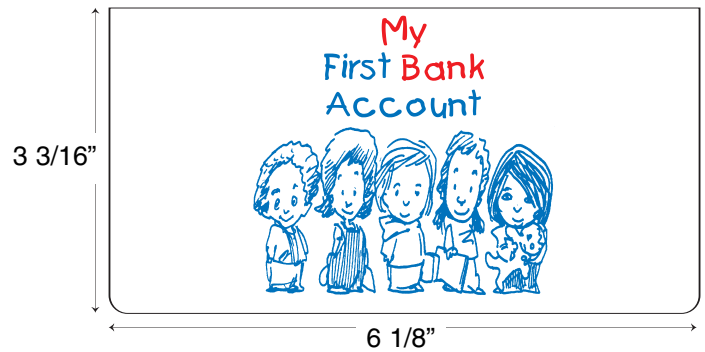
SAVINGS RECEIPT-RECORD BOOK

Pajco cover, white paper, black ink, 12 pages, two (2) vinyl pockets sewn in for Savings Receipts, ruled for hand entry by depositor. Rules or advertising copy on inside front cover and back covers.



KIDS SAVINGS PASSBOOKS

3 3/16 x 6 1/8" closed size. White pajco cover stock printed in one or two PMS colors. 8 pages inside printed in one PMS color ink.



INFORMATION ON DECORATING AND PROOFING

Foil Stamping - Line art or sharp black and white copy is required. Halftones are not acceptable for foil stamping. Necessary art and dies are billed at cost, which vary depending on size and complexity.

Silk Screening - Camera ready artwork, electronic files or reproduction copy must be furnished.

Embossing or Debossing - Blind embossing or debossing can be applied to most of the cover materials. Die costs vary depending on copy.

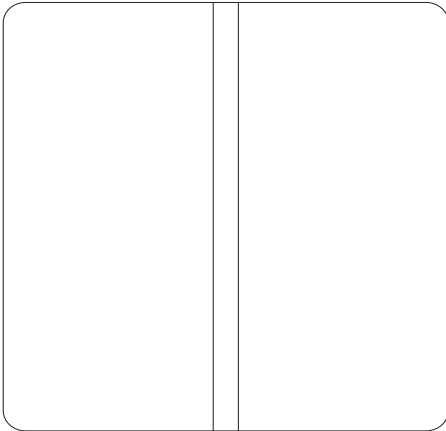
Art Charges - If camera ready art or acceptable electronic files are not furnished, we can have the necessary art work done, and charge at cost.

Proofs - Fax, E-mail and Blueline proofs for passbooks are shown upon request for approval to type selection and copy. Press proofs can be provided, quotation is furnished prior to production cost depending upon number of colors and whether or not a fully completed sample is wanted.

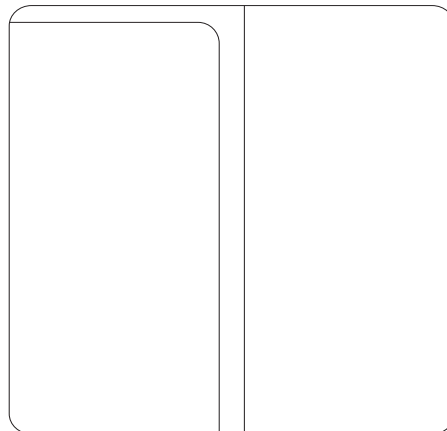
Note: If any above proof is not approved as originally requested, there will be additional charges to remake necessary items.

SAVINGS ACCOUNT WALLETS

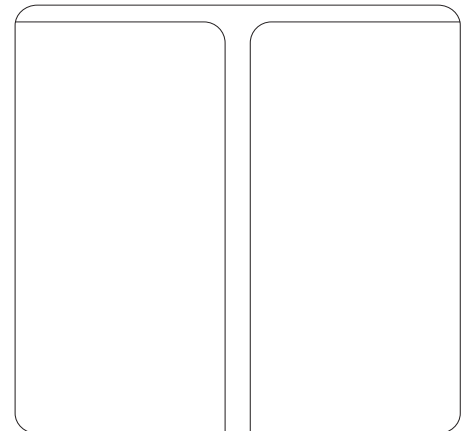
Style A



Style B



Style C



SAVINGS ACCOUNT WALLET

This versatile wallet cover comes in a variety of sizes and interior pocket arrangements. Secretary pockets have rounded corners. Cover can be used as a receipt holder or in conjunction with a savings register.

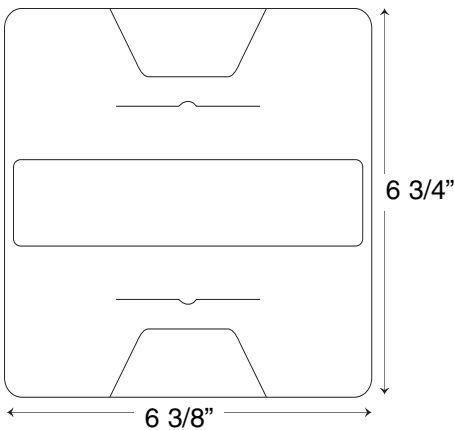
Flat Sizes: $6 \frac{1}{4} \times 6 \frac{5}{8}$ " to $7 \times 6 \frac{5}{8}$ " and $6 \frac{1}{2} \times 7 \frac{1}{2}$ " to $7 \frac{1}{2} \times 7 \frac{7}{8}$ " (Underscore indicates direction of folding score).

PRINTED INSERTS FOR SAVINGS RECEIPT WALLETS

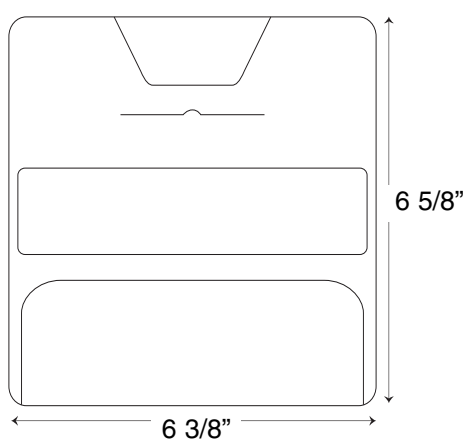
Inserts for $6 \frac{1}{2}$ to 7" Wallets. 8 pages, white 24 lb. ledger, Thread sewn, usually 6 pages for entry, 3 pages for rules or advertising, with two of those on the inside covers, 90 lb. index cover, printed in black ink. Can be inserted or shipped separately.

WALLET STYLE CHECK BOOK COVERS

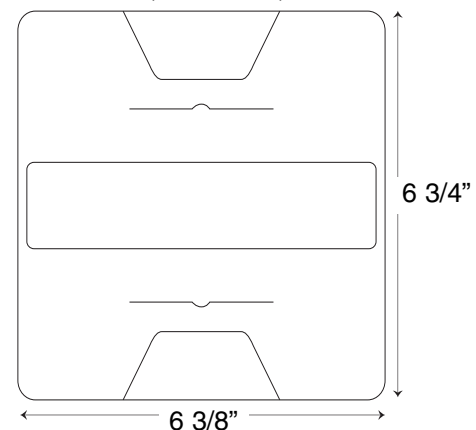
#6375 - $6 \frac{3}{8} \times 6 \frac{3}{4}$ "



#6375 LF - $6 \frac{3}{8} \times 6 \frac{5}{8}$ "



Turned & Sewn
 $6 \frac{3}{8} \times 6 \frac{3}{4}$ "



Our most popular wallet style check cover based on using stock vinyl. Constructed to accept a 6" top bound register and 6" top bound check. Interior pockets have die cut slots for business or credit cards.

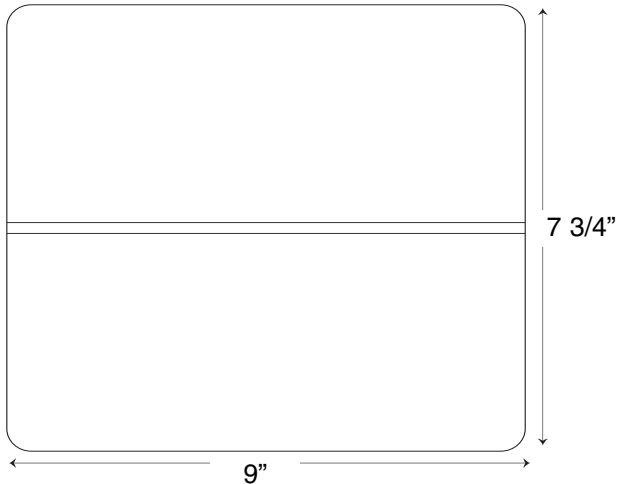
The #6375LF has a large flap for duplicate checks.

Turned and Sewn cover uses expanded/supported vinyl for outside edges turned in and thread stitched.

SAVINGS CERTIFICATE FOLDER

Open Size 9 x 7 3/4"

Based on using .012 ga. French Calf/Suede vinyl. One .008 ga. clear pocket inside to accommodate standard size CD. Decoration and other vinyls available for special prices.

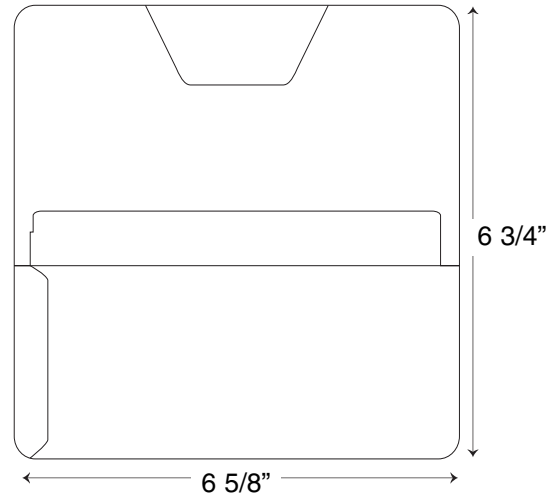


#6625C WALLET STYLE COMBINATION CHECK BOOK COVER

For Top or End Bound Checks

Open Size 6 5/8 x 6 3/4"

This combination wallet style check cover will accept a 6" top bound register and either a top or end bound 6" check.

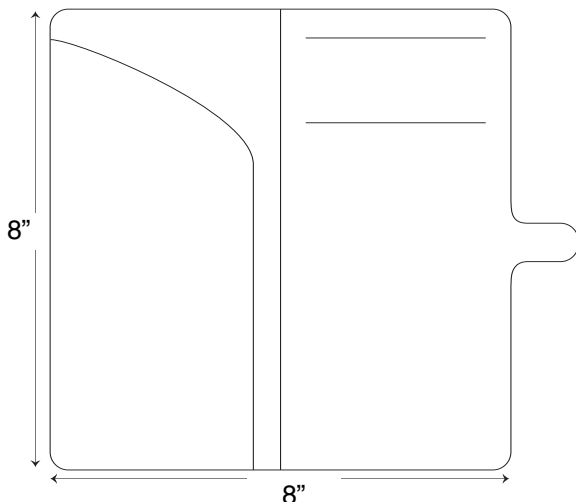


No. 600 Duplicate Deposit Ticket Covers

Closed Size 4 x 8"

For Pad Size 3 5/8 x 7 3/4"

Available with and without snap fasteners. Pad of Duplicate Deposit Tickets (not included) inserts through slits on inside back cover. Inside front cover is used to carry currency, checks and receipts.

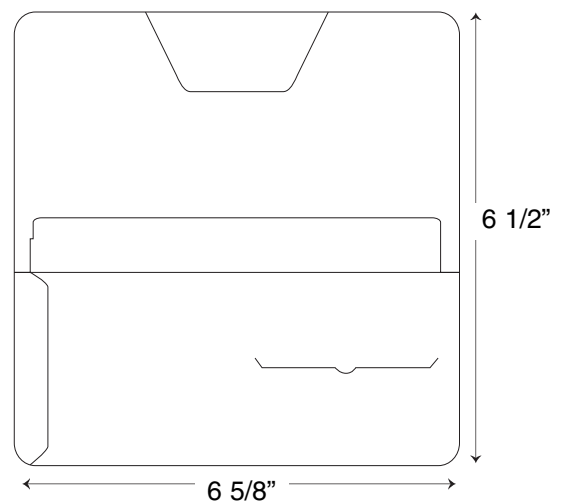


#6625R WALLET STYLE COMBINATION CHECK BOOK COVER

For End Bound Checks

Open Size 6 5/8 x 6 1/2"

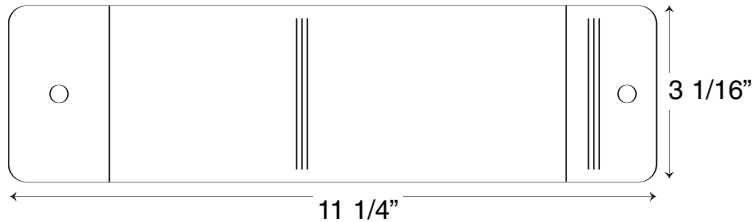
This popular wallet style check cover is constructed to accept a 6" or 6 1/4" top bound register and a 6" end bound check. Register pocket has a die cut flap for easy indexing.



END STUB STYLE CHECK BOOK COVER

Open Size 11 1/4 x 3 1/16"

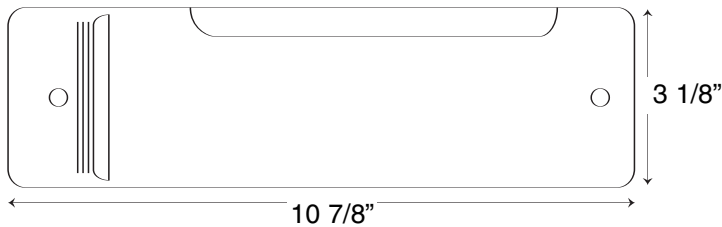
This folding style check cover is designed for the traditional stub on end folding check and in addition has a pocket to hold the small business passbook. Bottom snap closures.



BILLFOLD STYLE CHECK BOOK COVER

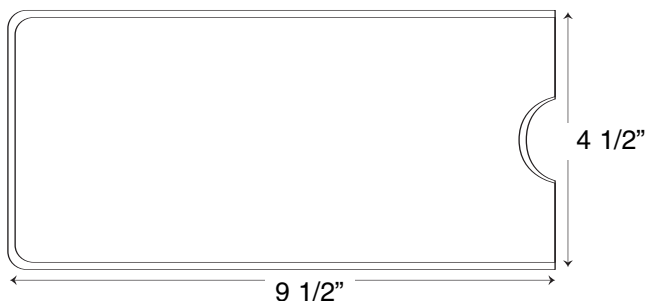
Open Size 10 7/8 x 3 1/8"

This folding style check cover is designed to accept the stub on end folding check. In addition, it features a clear currency or receipt pocket. Bottom snap closures.



CERTIFICATE OF DEPOSIT OR NOTE HOLDERS

Constructed like a vinyl book jacket with a .008 ga. frosty vinyl. Can be furnished with front offset from the back, with or without thumb cut. Sized up to 4 1/2 x 9 1/2". Colors also available.



POLYETHYLENE JACKETS

.008 ga. Polyethylene jackets, with thumb notch, can be used with any book cover material. Available in these sizes:

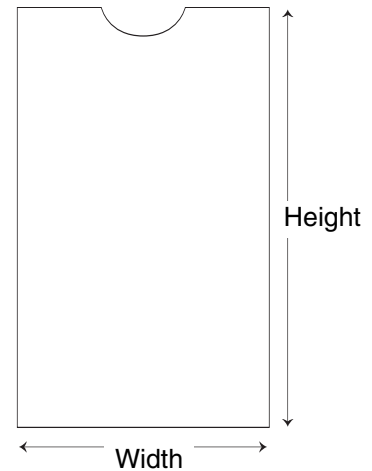
Width x Height

2 3/8 x 5 1/16"

3 3/4 x 4 3/4"

3 3/4 x 5 1/4"

3 3/4 x 6 1/4"



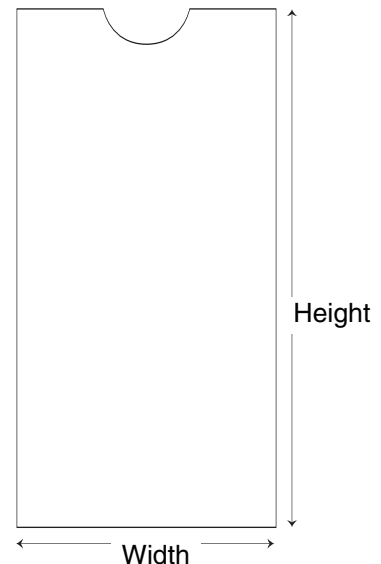
.008 ga. Polyethylene Certificate or Note Holders available in these sizes:

Width x Height

4 x 9"

4 3/8 x 9"

4 1/4 x 9 1/4"



Contact Us:

PRINTING • PROMOTIONS • GRAPHICS

gaffey
GoGaffey.comSM

800.821.5368 • 517.694.4115 • Fax 517.694.5330
2385 Delhi Commerce Dr. • Holt, MI 48842